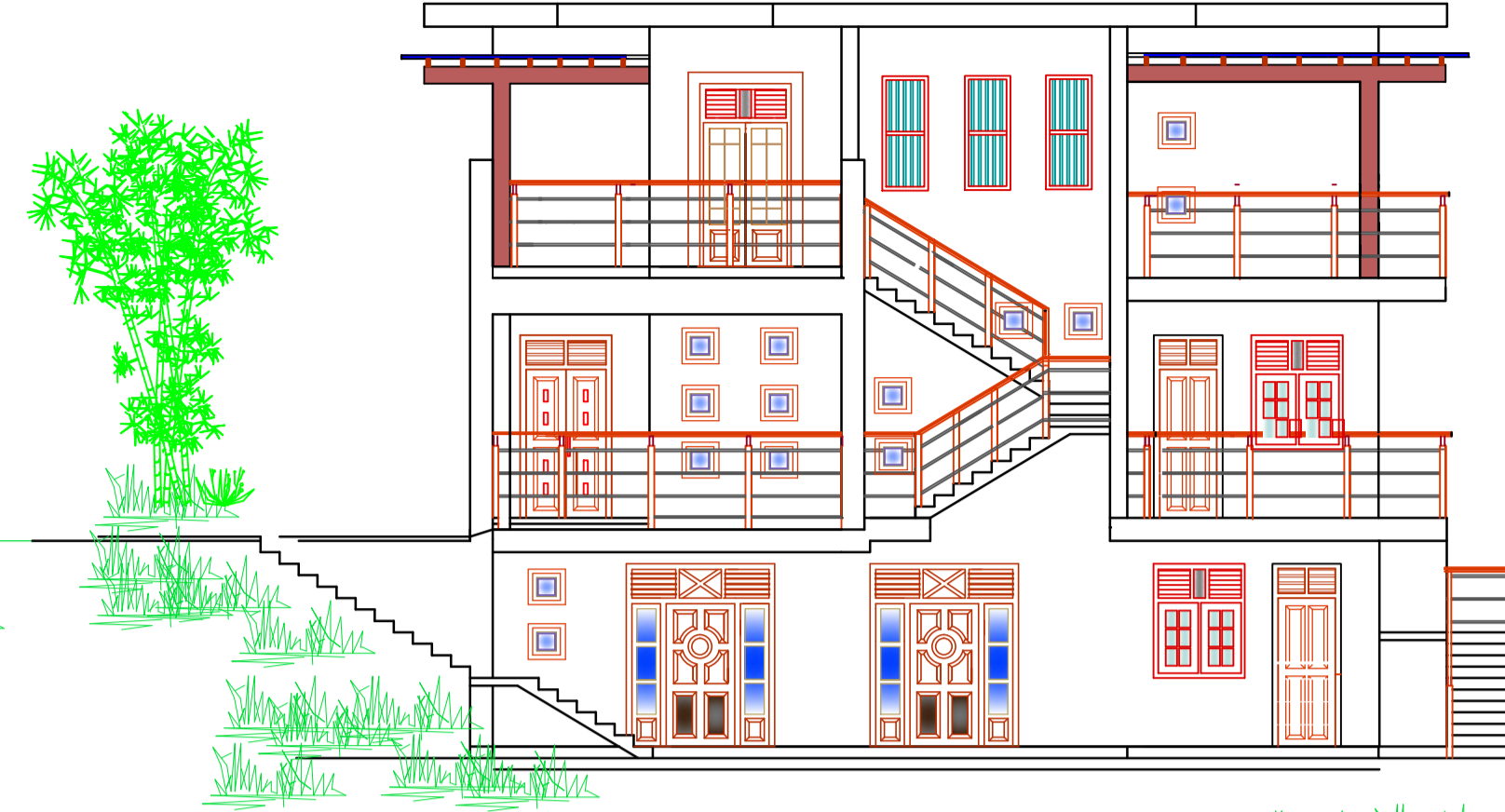
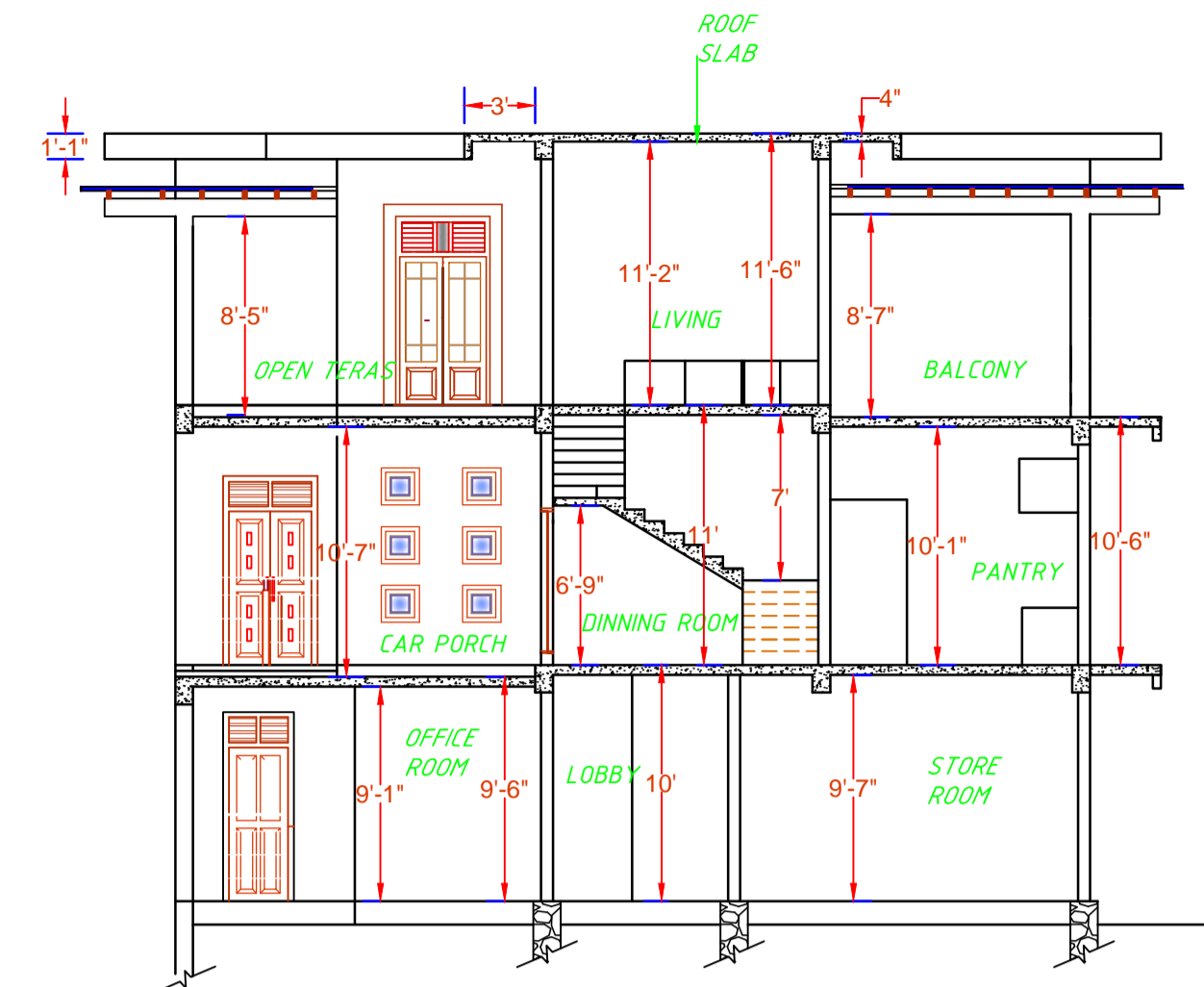




FRONT ELEVATION

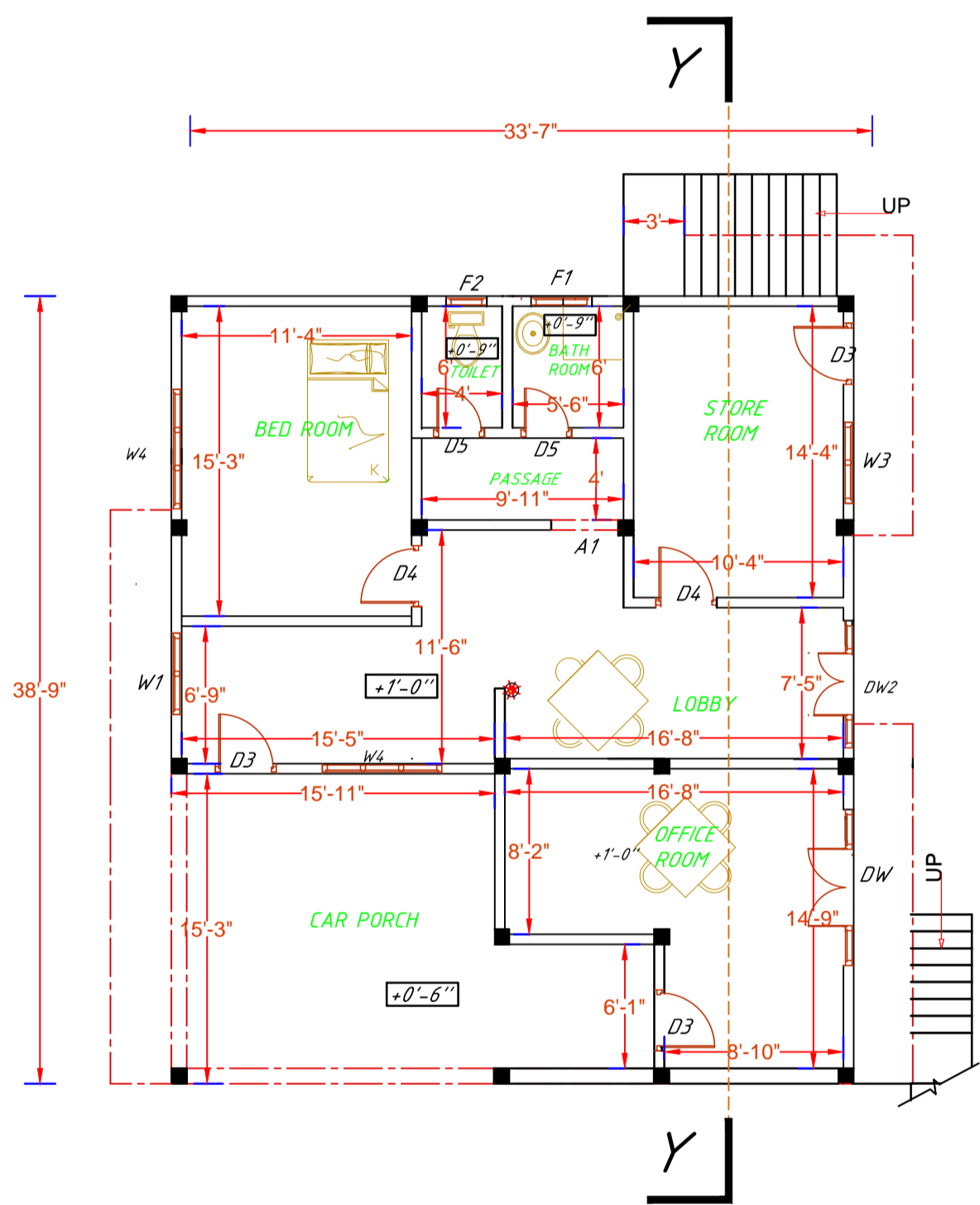


SIDE ELEVATION

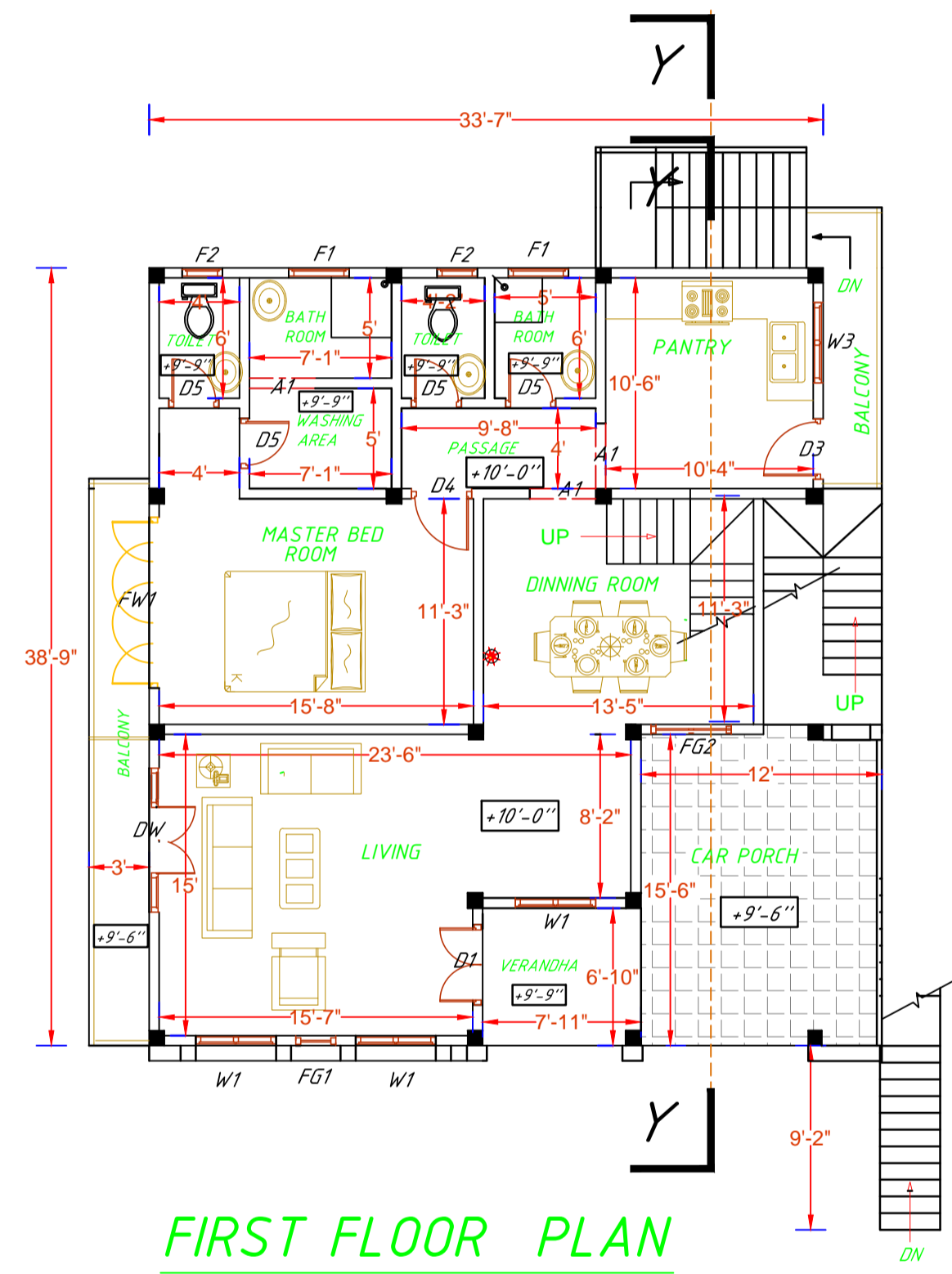


SECTION Y-Y

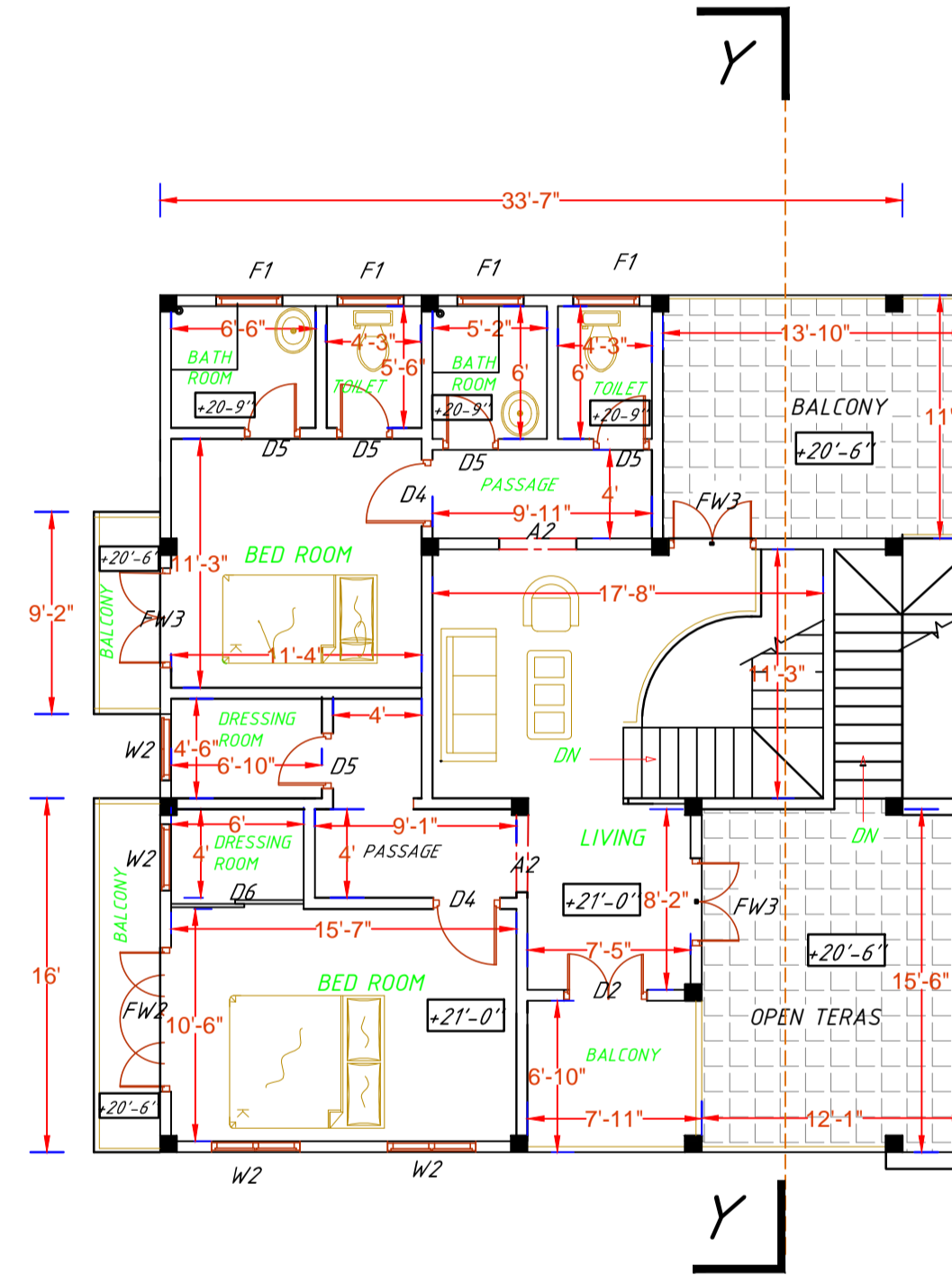
SCHEDULE OF OPENINGS						
TYPE	SIZE	DESCRIPTION	NO.S			SF
			G.F	F.F	S.F	
D1	4'0" x 8' 0"	Flush Paneled Door	-	01	-	-
D2	3' 9" x 8' 0"	Flush Paneled Door	-	-	01	-
D3	3' 3" x 8' 0"	Flush Paneled Door	02	01	-	-
D4	3' 3" x 7' 0"	Flush Paneled Door	03	01	02	-
D5	2' 6" x 6' 6"	P.V.C. Door	02	04	05	-
D6	2' 6" x 7' 0"	Sliding Door	-	-	01	-
FW1	8' 0" x 8' 0"	Glazed French Window	-	01	-	-
FW2	7' 0" x 8' 0"	Glazed French Window	-	-	01	-
FW3	4' 0" x 8' 0"	Glazed French Window	-	-	03	-
W1	4' 0" x 7' 6"	Glazed Window	01	03	-	-
W2	4' 0" x 5' 6"	Glazed Window	-	-	04	-
W3	4' 0" x 5' 0"	Glazed Window	01	01	-	-
DW	7' 0" x 8' 0"	PANELLED DOOR WITH TIMBER WORK	01	01	-	-
DW2	6' 6" x 8' 0"	PANELLED DOOR WITH TIMBER WORK	01	-	-	-
F1	3' 0" x 2' 0"	Glazed Fan Light With Lower Works	01	02	04	-
F2	2' 0" x 2' 0"	Glazed Fan Light With Lower Works	01	02	-	-
FG1	2' 0" x 7' 3"	FIXED GLASS	-	01	-	-
FG2	4' 0" x 8' 0"	FIXED GLASS	-	01	-	-
A1	3' 3" x 7' 0"	ARCH	01	03	-	-
A2	3' 6" x 7' 0"	ARCH	-	-	02	-



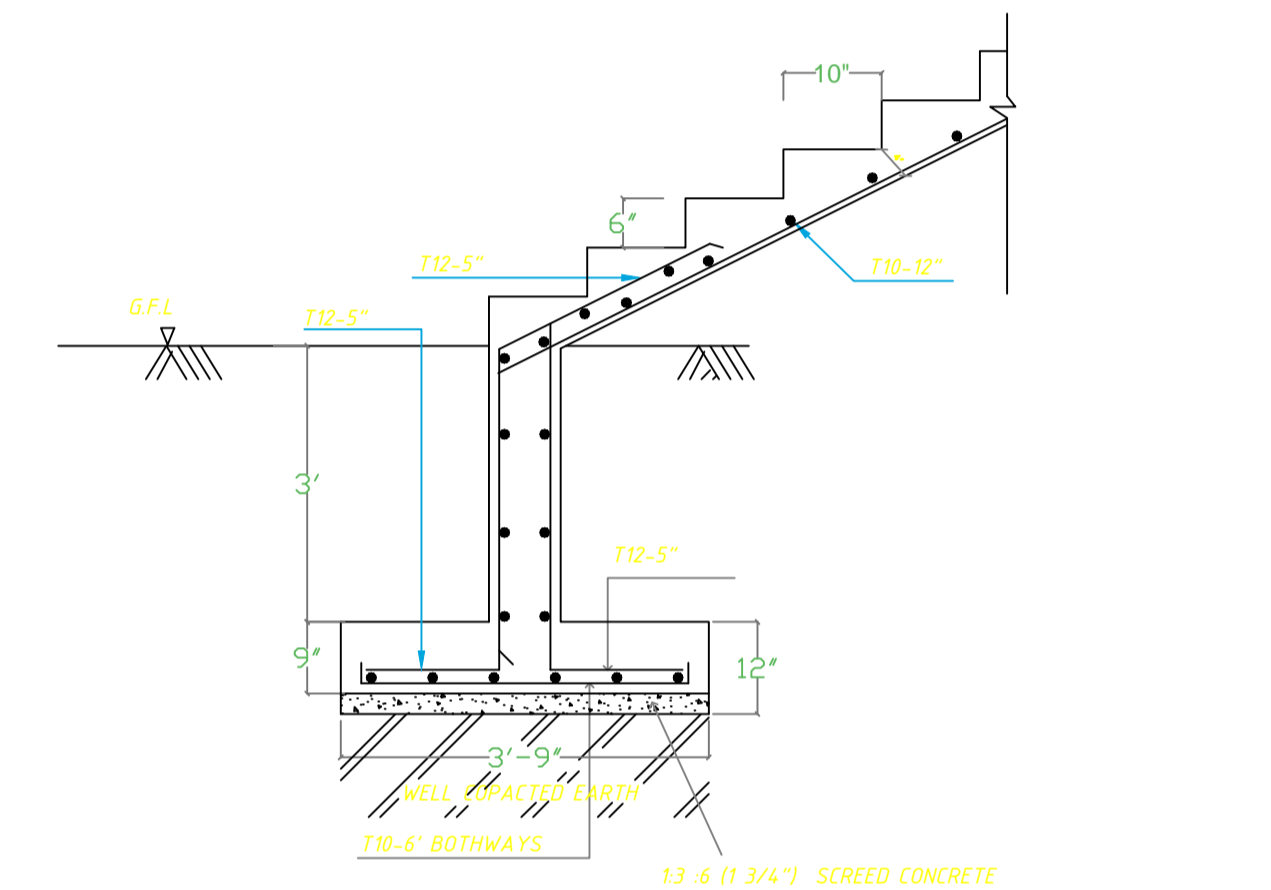
GROUND FLOOR PLAN



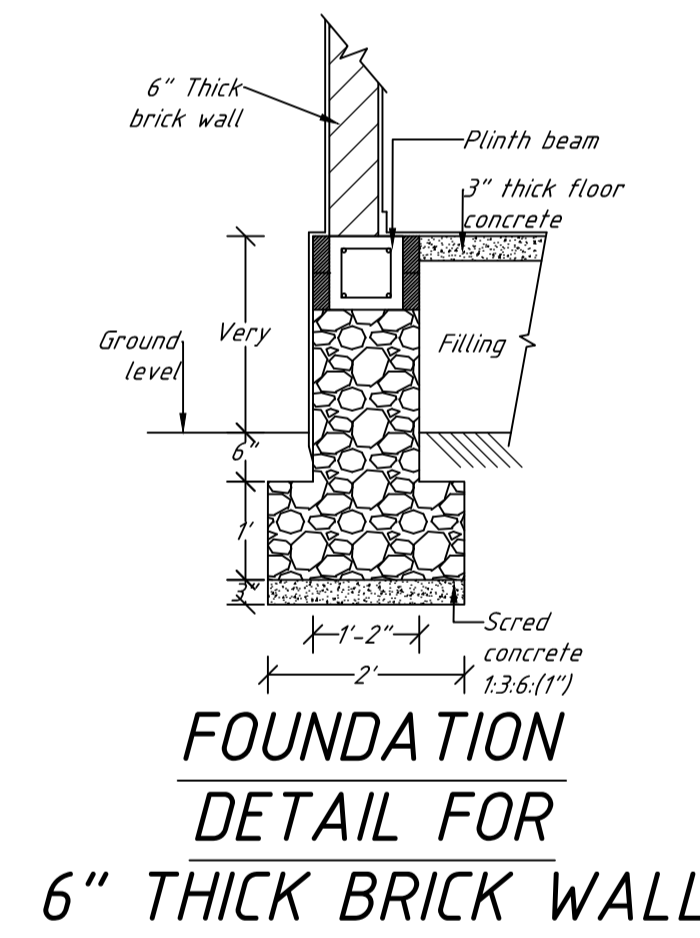
FIRST FLOOR PLAN



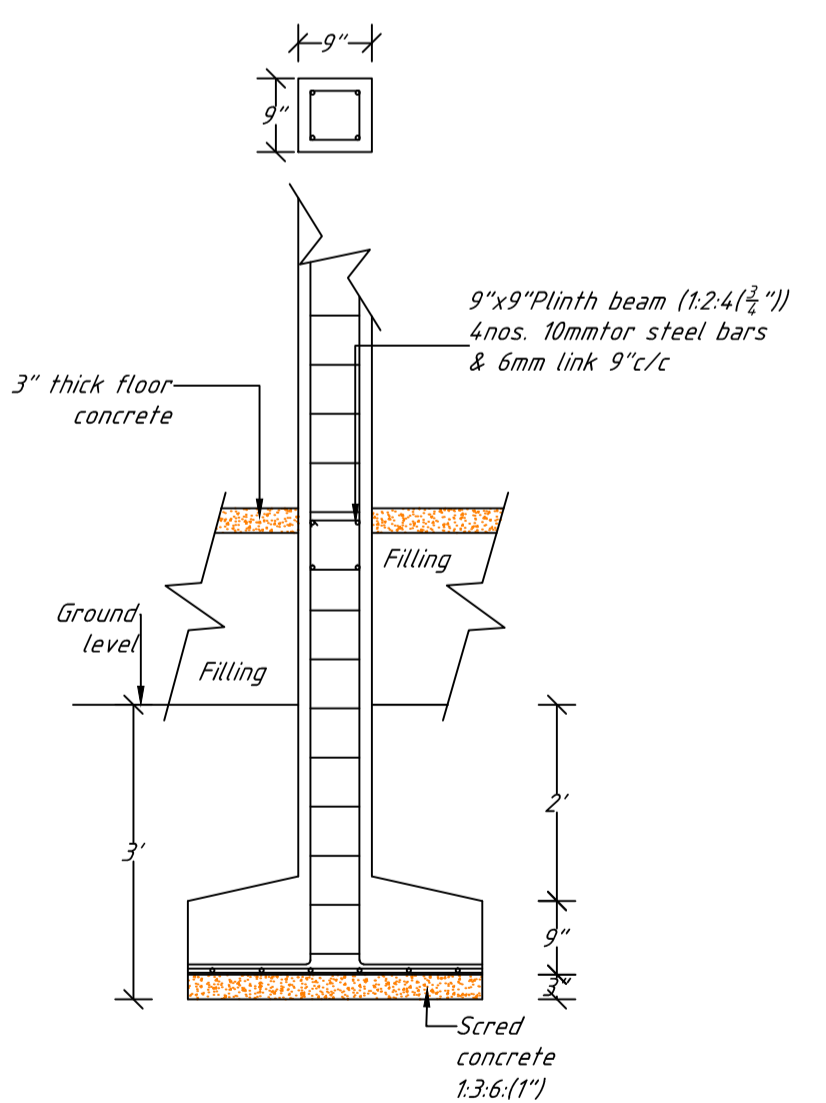
SECOND FLOOR PLAN



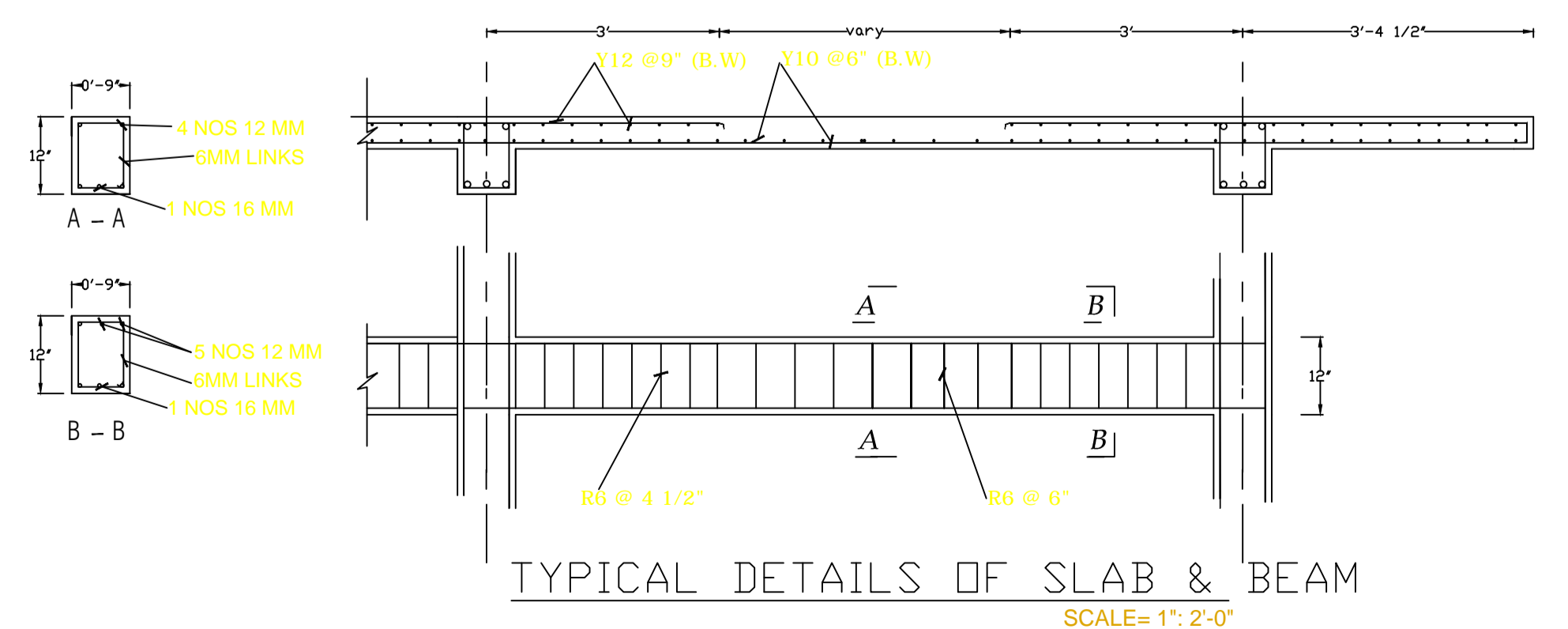
TYPICAL DETAILS OF STAIRCASE
SCALE= 1": 2'-0"



FOUNDATION
DETAIL FOR
6" THICK BRICK WALL



TYPICAL DETAILS
OF COLUMN



TYPICAL DETAILS OF SLAB & BEAM
SCALE= 1": 2'-0"

GROUND FLOOR AREA :- 1302.06 sq.ft
FIRST FLOOR AREA :- 1505.31 sq.ft
SECOND FLOOR AREA :- 1505.31 sq.ft
TOTAL FLOOR AREA :- 4799.28 sq.ft

SCALE : EIGHT FEET TO AN INCH
: TWO FEET TO AN INCH

